







LED Explosion-proof Light EP-01-G3



Better solutions for LED Explosion-proof Light

-  **IP66 water-proof**
-  **AC100-277V 50/60Hz**
-  **Easy Installation**
-  **130Lm/W**
- Operating Temp.:** -40°C ~ +50°C
- Storage Temp.:** -40°C ~ +80°C



Options

Driver	Housing Color	CCT	Beam Angle
Mean Well Driver	Grey	3000K	90°
	Orange	4000K	120°
		5000K	60°
		5700K	30°

Application

Refineries and fuel depots, marine vessels, chemical production and processing, food processing, mining, wineries, other high humidity, high temperature, and dusty places

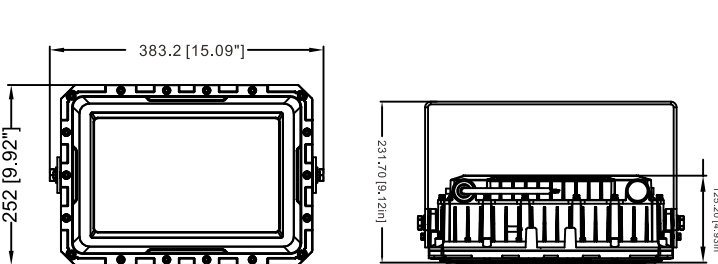
CLASSIFICATIONS & RATINGS

- Class I, Division 1, Groups C, D
- Class I, Division 2, Groups A, B, C, D
- Class II, Division 2, Groups E, F, G
- Class III
- Zone 1, Zone 2, Zone 21, Zone 22

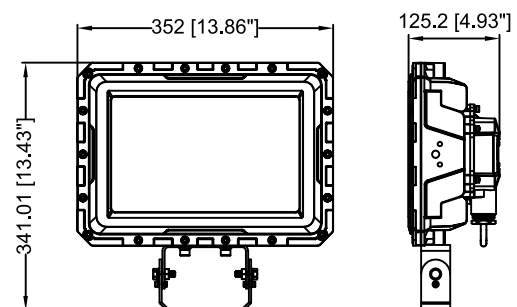
Specifications

Item	Power	Luminous Efficacy	Leds	CRI	Weight	Beam Angle
EP60W-01-G3	60W	130Lm/W	Lumileds 3030	>80	10.0kg(22.0lbs)	90°/120°/60°/30°
EP80W-01-G3	80W	130Lm/W	Lumileds 3030	>80	10.0kg(22.0lbs)	90°/120°/60°/30°
EP100W-01-G3	100W	130Lm/W	Lumileds 3030	>80	10.0kg(22.0lbs)	90°/120°/60°/30°
EP120W-01-G3	120W	130Lm/W	Lumileds 3030	>80	10.0kg(22.0lbs)	90°/120°/60°/30°
EP150W-01-G3	150W	130Lm/W	Lumileds 3030	>80	10.0kg(22.0lbs)	90°/120°/60°/30°
EP180W-01-G3	180W	130Lm/W	Lumileds 3030	>80	10.0kg(22.0lbs)	90°/120°/60°/30°
EP200W-01-G3	200W	130Lm/W	Lumileds 3030	>80	10.0kg(22.0lbs)	90°/120°/60°/30°
EP400W-01-G3	400W	130Lm/W	Lumileds 3030	>80	22.0kg(48.5lbs)	90°/120°/60°/30°
EP800W-01-G3	800W	130Lm/W	Lumileds 3030	>80	48.0kg(105.8lbs)	90°/120°/60°/30°

Dimensions(mm)



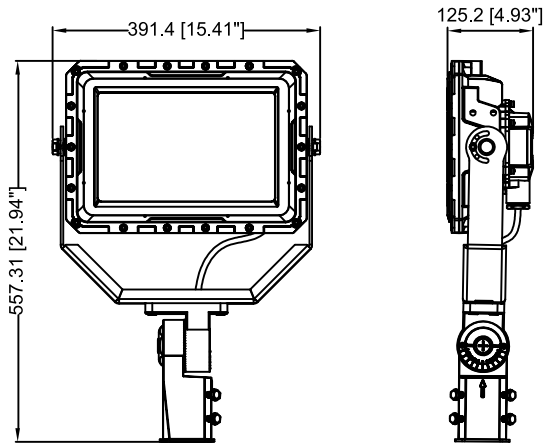
60W/80W/100W/120W/150W/180W/200W-P1



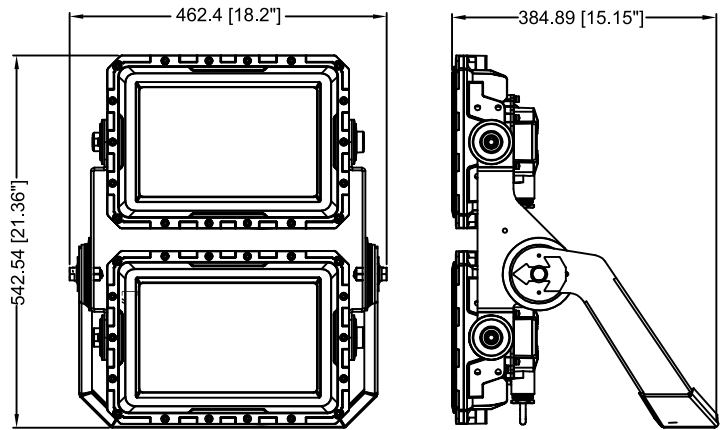
60W/80W/100W/120W/150W/180W/200W-P2

EP-01-G3

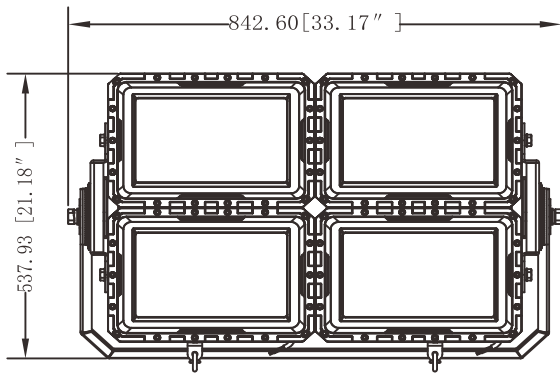
LED Explosion-proof Light



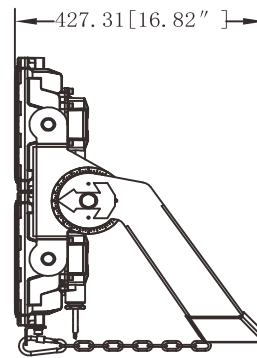
60W/80W/100W/120W/150W/180W/200W-P3



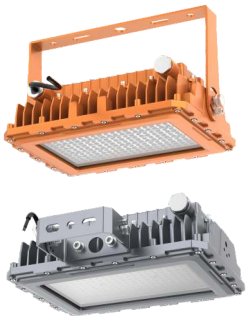
400W-P1



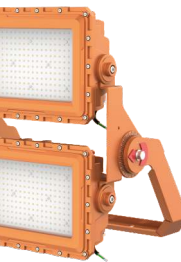
800W-P1



Model Options



60W/80W/100W/120W/150W/180W/200W

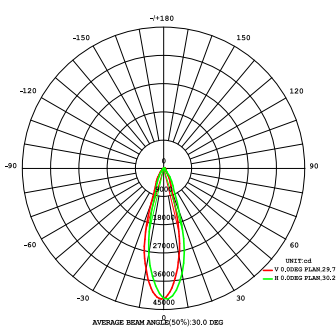


400W

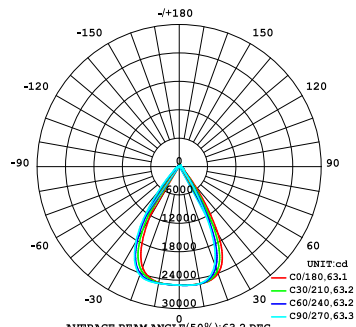


800W

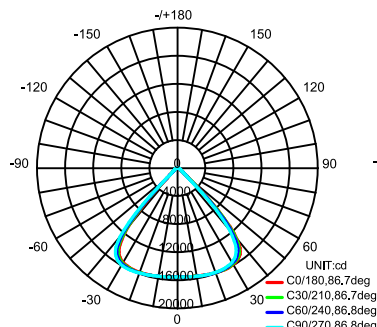
Photometry



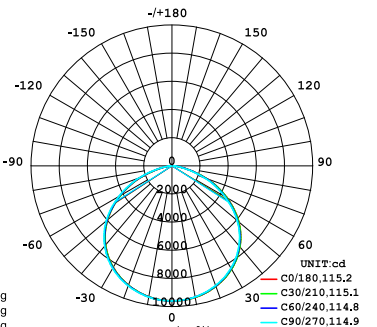
30°



60°



90°



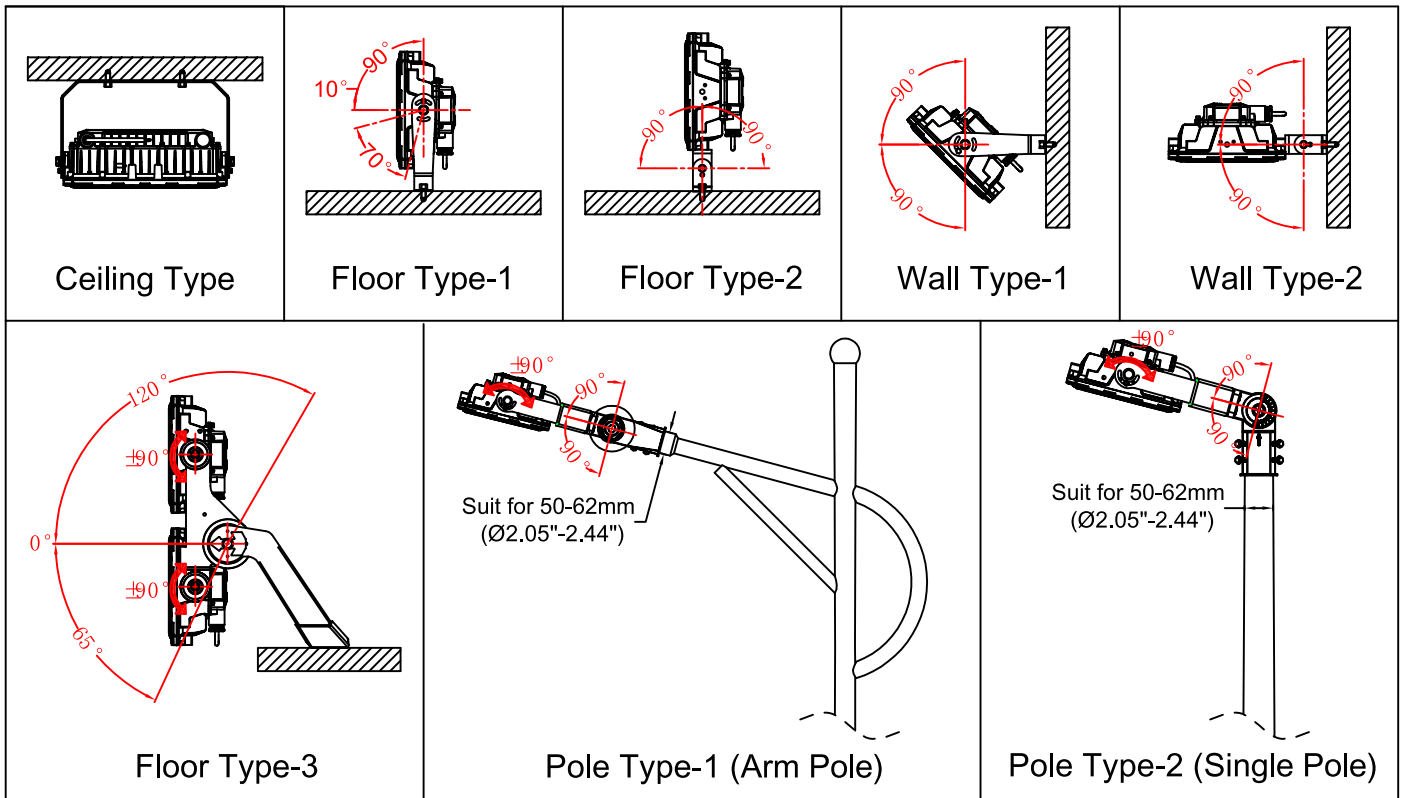
120°

EP-01-G3

LED Explosion-proof Light



Installation and use



Packing Spec

Item	Box			Carton		
	Measurement(mm)	Gross weight	Pcs/box	Measurement(mm)	Gross weight	Pcs/box
EP60W~200W-01-G3	L442*W402*H220	11.3kg(24.9lbs)	1	/	/	/
EP400W-01-G3	L660*W530*H280	23.5kg(51.8lbs)	1	/	/	/
EP800W-01-G3	L925*W770*H310	53.0kg(116.9lbs)	1	/	/	/