



CABLE LUGS & Connectors



About us

We are yet to be a leading Electrical component manufacturing company based in London, UK . We offer a wide range of Electrical lugs & electrical connectors, which are manufactured in conformance with various International standards and British Standards. We have also tested our lugs from Several Recognised Testing House as per IEC and BSEN Standards. We are an ISO 9001 Certified Company. Our product range includes copper ring type lugs, Pin, Fork Lugs, Copper Tubular Heavy Duty and Standard Short and Long Barrel Lugs, Aluminum Tubular Lugs, Bimetallic Lugs, Copper Press Parts, and Crimping Lugs etc.



Vision

"A recognised Global brand by earning Customers reliability"

Certificates




**CERTIFICATE OF INCORPORATION
OF A
PRIVATE LIMITED COMPANY**

Company Number 12732455

The Registrar of Companies for England and Wales, hereby certifies that
PETROLIA GLOBAL LTD

is this day incorporated under the Companies Act 2006 as a private company, that the company is limited by shares, and the situation of its registered office is in England and Wales.

Given at Companies House, Cardiff, on 9th July 2020.

The above information was communicated by electronic means and authenticated by the Registrar of Companies under section 1115 of the Companies Act 2006


THE OFFICIAL SEAL OF THE
REGISTRAR OF COMPANIES


Companies House

CERTIFICATE OF COMPLIANCE


UK CERTIFICATION AND ASSESSMENT LTD.

We hereby declare that the technical file of all the items in each product group complies with the requirements of UL 467 and CAN/CSA C22.2 No. 41, UL 1007/9, 2000, UL 6007/7, 2001, UL 56, UL 2245

PETROLIA GLOBAL FZE
at
DUBAI - E LOB, OFFICE NO. - E-13F19, HAMRIYAH FREE ZONE, SHARJAH, UNITED ARAB EMIRATES - 53229

has been independently assessed and found to be in accordance with the requirements of the standard detailed below:

UL
(UNDERWRITERS LABORATORIES)
for the following scope of activities:

CABLE LUGS & CABLE GLANDS

Validity of this Certificate can be verified at <http://www.ukascert.co.uk/verify.aspx>

Certificate Number: Q-142129122021
 Issue Date: 29th December 2021
 Valid Until: 28th December 2024
 1st Surveillance on or before: 28th December 2022
 2nd Surveillance on or before: 28th December 2023


UK CERTIFICATION AND ASSESSMENT LTD.
Michael
 Auth. Signatory

UK Certification and Assessment Ltd
 Regd. Off: 71-75 Shelton Street London Greater London WCH2 9JQ UNITED KINGDOM
 Website: www.ukascert.co.uk, Mail: info@ukascert.co.uk Company No. 12660984
 (In case of surveillance audit is not allowed to be conducted: this certificate shall be suspended/withdrawn).
 This certificate is the property of UK Certification and Assessment Ltd and shall be returned immediately on request.

UKASERT UKASERT UKASERT

CERTIFICATE OF REGISTRATION


UK CERTIFICATION AND ASSESSMENT LTD.
 This is to Certify that
 Quality Management System of
PETROLIA GLOBAL LTD.
 at
 59 RAYMOND ROAD, UPTON PARK, LONDON E13 0SP

UKASERT Certified that the Quality management system of the above organisation has been assessed and found to be in accordance with the requirements of the management system detailed below:

ISO 9001:2015
for the following scope:

MANUFACTURING, DESIGN AND MARKETING OF LED EXPLOSION-PROOF LIGHTING FIXTURE, CABLE LUGS, CABLE GLANDS, JUNCTION BOX AND HANDLING TURN-KEY EPC PROJECTS FOR ELECTRICAL PRODUCTS

Validity of this Certificate can be verified at <http://www.ukascert.co.uk/verify.aspx>

Certificate Number: Q-141929122021
 Issue Date: 29th December 2021
 Valid Until: 28th December 2024
 1st Surveillance on or before: 28th December 2022
 2nd Surveillance on or before: 28th December 2023


UK CERTIFICATION AND ASSESSMENT LTD.
Michael
 Auth. Signatory


 UK Certification and Assessment Ltd
 Regd. Off: 71-75 Shelton Street London Greater London WCH2 9JQ UNITED KINGDOM
 Website: www.ukascert.co.uk, Mail: info@ukascert.co.uk Company No. 12660984
 (In case of surveillance audit is not allowed to be conducted: this certificate shall be suspended/withdrawn).
 This certificate is the property of UK Certification and Assessment Ltd and shall be returned immediately on request.

UKASERT UKASERT UKASERT

CERTIFICATE OF COMPLIANCE


UK CERTIFICATION AND ASSESSMENT LTD.

We hereby declare that the technical file of product complied with the requirement of Council Directive 73/23/EEC (2006/95/EC), 2006/95/EC, 2014/35/EU, 2004/108/EC, 2006/95/EC, 2006/95/EC, 2014/35/EC, 2014/35/EC

Manufacturer
Name : PETROLIA GLOBAL LTD.
Address : 59 RAYMOND ROAD, UPTON PARK, LONDON E13 0SP
Product : CABLE LUGS, CABLE GLANDS, LIGHTING FIXTURE

The Certification body has performed an audit of the above product quality system covering the design, manufacture and final inspection of the certified product. The quality system has been assessed, approved and is subject to continuous surveillance according to Council Directive 73/23/EEC (2006/95/EC), 2006/95/EC, 2014/35/EU, 2004/108/EC, 2006/95/EC, 2006/95/EC, 2014/35/EC.

This certificate is issued under the following conditions:

1. It applies only to the quality system maintained in the manufacture of above referenced models and it does not substitute the design or type-examination procedures, if required.
2. The certificate remains valid until the manufacturing conditions/the quality systems are changed.
3. The certificate validity is conditional on positive results or surveillance audits.
4. After fulfilling the relevant standard/industry performance, the manufacturer shall affix to each device, of the referenced models.

The CE mark as shown above can be used, under the responsibility of the manufacturer, after completion of an EC Declaration of conformity and compliance with all relevant EC Directives. The statement is based on a single evaluation of one sample of above mentioned product. It does not imply an assessment of the whole production.

Validity of this certificate can be verified at <http://www.ukascert.co.uk/verify.aspx>

Certificate Number: CE-1047
 Issue Date: 29th December 2021
 Valid Until: 28th December 2024
 1st Surveillance on or before: 28th December 2022
 2nd Surveillance on or before: 28th December 2023


UK CERTIFICATION AND ASSESSMENT LTD.
Michael
 Auth. Signatory


 UK Certification and Assessment Ltd
 Regd. Off: 71-75 Shelton Street London Greater London WCH2 9JQ UNITED KINGDOM
 Website: www.ukascert.co.uk, Mail: info@ukascert.co.uk Company No. 12660984
 (In case of surveillance audit is not allowed to be conducted: this certificate shall be suspended/withdrawn).
 This certificate is the property of UK Certification and Assessment Ltd and shall be returned immediately on request.

UKASERT UKASERT UKASERT

Test Reoprts



Sample Size : Copper Compression Type Tubular Cable Lug.

Six Lugs were marked 1 o 6 for identification purpose.

As desired, the sample was subjected to the followings tests generally as per IEC-61238-1-2003 with the results noted below :-

1. Electrical test requirement (Cl. 6)

(a) Connector Resistance factor :- (K)

Connector or	No. of Cycles											
	0	250	325	400	475	550	625	700	775	850	925	1000
1.	2.354	2.367	2.379	2.382	2.386	2.388	2.402	2.404	2.407	2.415	2.416	2.421
2.	2.354	2.367	2.379	2.382	2.386	2.388	2.403	2.404	2.409	2.414	2.414	2.422
3.	2.367	2.379	2.379	2.382	2.386	2.392	2.404	2.406	2.409	2.414	2.416	2.224
4.	2.367	2.379	2.379	2.382	2.384	2.392	2.402	2.404	2.410	2.415	2.414	2.422
5.	2.354	2.367	2.367	2.380	2.386	2.386	2.402	2.404	2.409	2.416	2.416	2.422
6.	2.354	2.367	2.367	2.380	2.386	2.386	2.404	2.405	2.409	2.416	2.416	2.424

(b) Initial scatter $\bar{\sigma}$: (Specified maximum value : 0.30) :- Observed value : 0.009

(c) Mean Scatter $\bar{\beta}$: (Specified maximum value : 0.30) :- Observed value : 0.002

(d) Changes in Resistance factor, D :- (Specified maximum value : 0.15) :-

Connector	1	2	3	4	5	6
D	0.021	0.022	0.019	0.022	0.021	0.024

Sample Size : Copper Compression Type Tubular Cable Lug.

e) Resistance factor Ratio γ :- (Specified maximum value : 2.0) :- Observed maximum value : 1.030

Connector or	No. of Cycles										
	250	325	400	475	550	625	700	775	850	925	1000
1.	1.006	1.010	1.013	1.016	1.018	1.019	1.021	1.024	1.027	1.029	1.030
2.	1.005	1.010	1.013	1.016	1.018	1.019	1.021	1.024	1.027	1.029	1.030
3.	1.005	1.011	1.008	1.010	1.012	1.014	1.016	1.018	1.021	1.023	1.025
4.	1.005	1.011	1.008	1.010	1.012	1.014	1.016	1.018	1.021	1.023	1.025
5.	1.005	1.006	1.010	1.014	1.013	1.018	1.018	1.020	1.022	1.024	1.026
6.	1.005	1.006	1.010	1.014	1.013	1.018	1.018	1.020	1.022	1.024	1.026

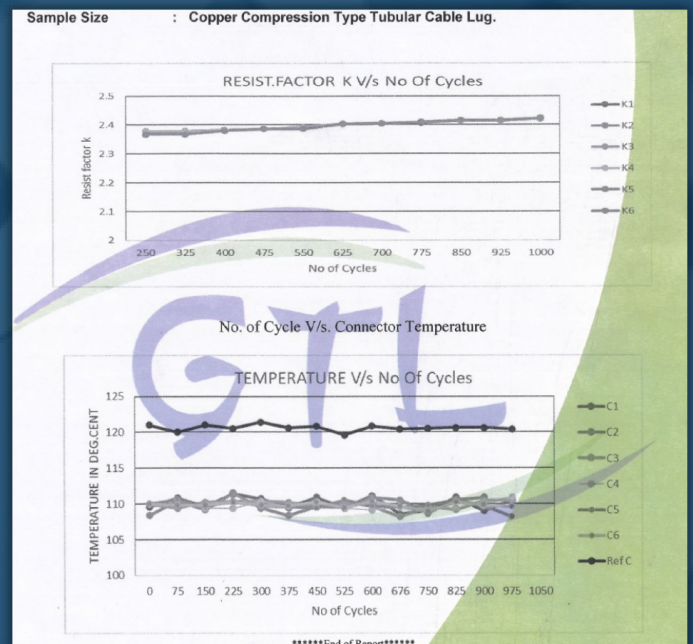
f) Maximum temperature ϕ Max. :- (Specified Value of ref :120°C-140°C)

Connector	1	2	3	4	5	6	Ref. Conductor Temp., C
ϕ Max. :°C	110	110	110	110	110	110	121

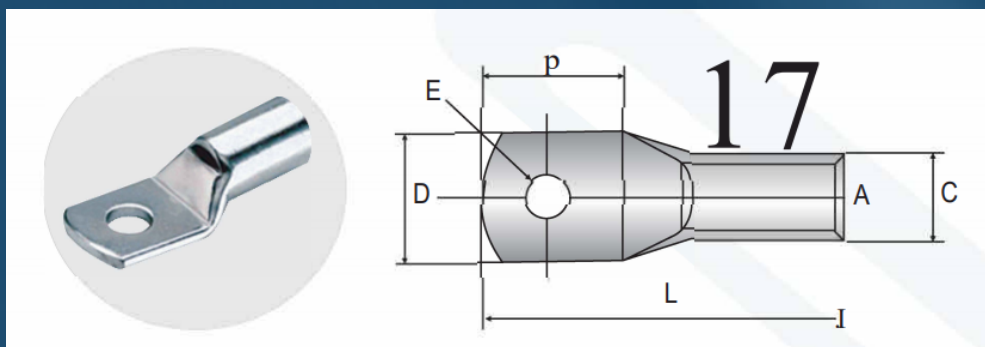
2. Mechanical Test (Cl. 7)

Tensile force of 20 kN applied : No slipping occurred during the test for a period of one minute.

Note : 1. Crimping was done using Crimping tool of jainson make.
2. The average ambient conditions of the laboratory during the period of the test was
Temperature, °C : 29.8
Relative humidity, % : 58



Heavy Duty Cable Lugs



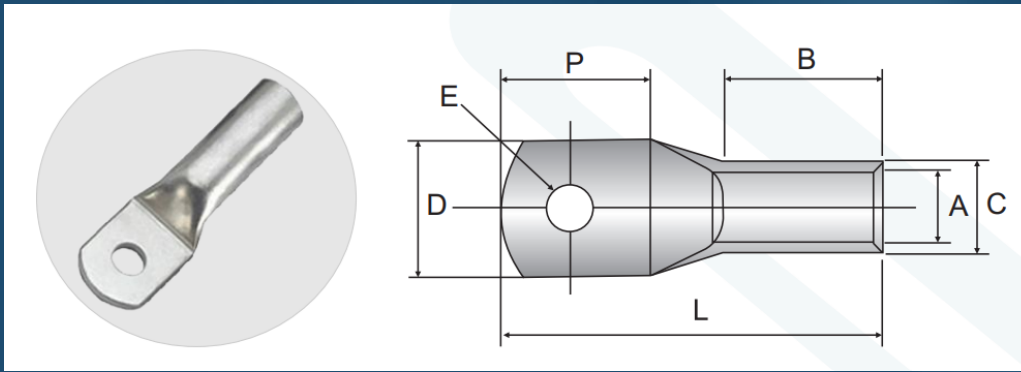
Cable Size	Stud Hole Size	Cable Lug Dimensions						Part No
	E	A	C	D	B	P	L	
1.5	4.2	1.8	3.7	8	5	9	16	EXHD 1.51/4
1.5	5.5	1.8	3.7	8	5	9	16	EXHD 1.51/5
1.5	6.5	1.8	3.7	10	5	11	18	EXHD 1.51/6
2.5	4.2	2.4	4	8	7	9	18	EXHD 2.5/4
2.5	5.5	2.4	4	10	7	11	20	EXHD 2.51/5
2.5	6.5	2.4	4	10	7	11	20	EXHD 2.51/6
4	5.5	3.1	4.8	10	7	11	20	EXHD 4.0/5
4	6.5	3.1	4.8	10	7	11	20	EXHD 4.0/6
6	5.5	3.8	5.5	10	9	11	23	EXHD 6.0/5
6	6.5	3.8	5.5	12	9	15	TL	EXHD 6.0/6
6	8.5	3.8	5.5	12	9	15	TL	EXHD 6.0/8
10	5.5	4.5	6.2	11	9	13	25	EXHD 10/5
10	6.5	4.5	6.2	12	9	13	25	EXHD 10/6
10	8.5	4.5	6.2	12	9	15	TL	EXHD 10/8
16	6.5	5.4	7.1	12	12	14	30	EXHD 16/6
16	8.5	5.4	7.1	12	12	14	30	EXHD 16/8
25	6.5	6.8	8.8	13	12	14	30	EXHD 25/6
25	8.5	6.8	8.8	18	12	21	37	EXHD 25/8
25	10.5	6.8	8.8	18	12	21	37	EXHD 25/10
35	6.5	8.2	10.6	15	12	18	35	EXHD 35/6
35	8.5	8.2	10.6	15	12	18	35	EXHD 35/8
35	10.5	8.2	10.6	18	12	21	38	EXHD 35/10
50	8.5	9.5	12.4	18	16	21	43	EXHD 50/8

Cable Size	Stud Hole Size	Cable Lug Dimensions						Part No
	E	A	C	D	B	P	L	
50	10.5	9.5	12.4	18	16	21	43	EXHD 50/10
50	12.5	9.5	12.4	18	16	23	45	EXHD 50/12
70	8.5	11.2	14.7	21	18	25	50	EXHD 70/8
70	10.5	11.2	14.7	21	18	25	50	EXHD 70/10
70	12.5	11.2	14.7	21	18	25	50	EXHD 70/12
95	10.5	13.5	17.4	25	20	26	55	EXHD 95/10
95	12.5	13.5	17.4	25	20	26	55	EXHD 95/12
120	10.5	15	19.4	28	22	28	60	EXHD 120/10
120	12.5	15	19.4	28	22	28	60	EXHD 120/12
120	17.0	15	19.4	28	22	32	64	EXHD 120/16
150	12.5	16.5	21.2	30	26	32	69	EXHD 150/12
150	14.7	16.5	21.2	30	26	32	69	EXHD 150/14
150	17.0	16.5	21.2	30	26	32	69	EXHD 150/16
185	12.5	18.5	23.5	34	32	34	78	EXHD 185/12
185	14.7	18.5	23.5	34	32	34	78	EXHD 185/14
185	17.0	18.5	23.5	34	32	34	78	EXHD 185/16
240	12.5	21	26.5	38	38	40	92	EXHD 240/12
240	14.7	21	26.5	38	38	40	92	EXHD 240/14
240	17.0	21	26.5	38	38	40	92	EXHD 240/16
240	21.0	21	26.5	38	38	40	92	EXHD 240/20
300	14.7	23.5	30	43	42	44	101	EXHD 300/14
300	17.0	23.5	30	43	42	44	101	EXHD 300/16
300	21.0	23.5	30	43	42	44	101	EXHD 300/20
400	17.0	28.5	36.5	52.5	44	52	114	EXHD 400/16
400	21.0	28.5	36.5	52.5	44	52	114	EXHD 400/20
500	17.0	30	39	56	48	56	124	EXHD 500/16
500	21.0	30	39	56	48	56	124	EXHD 500/20
630	17.0	35	45	65	56	66	144	EXHD 630/16
630	21.0	35	45	65	56	66	144	EXHD 630/20
800	Blank	39	50.6	73	78	75	170	EXHD 800/BL
1000	Blank	43	56.2	81	90	90	200	EXHD 1000/BL

Technical Data:

- All dimensions in mm.
- Material: Cable Lugs manufactured from Electrolytic Copper.
- Range: Cable Range from 1.5 to 1000 mm² with different stud hole.
- Finish: Lead Free Electro Tin Plated to prevent atmospheric corrosion.
- Application: Used for termination of copper conductors to equipment & switch gear panels..

Heavy Duty Long Barrel Cable Lugs



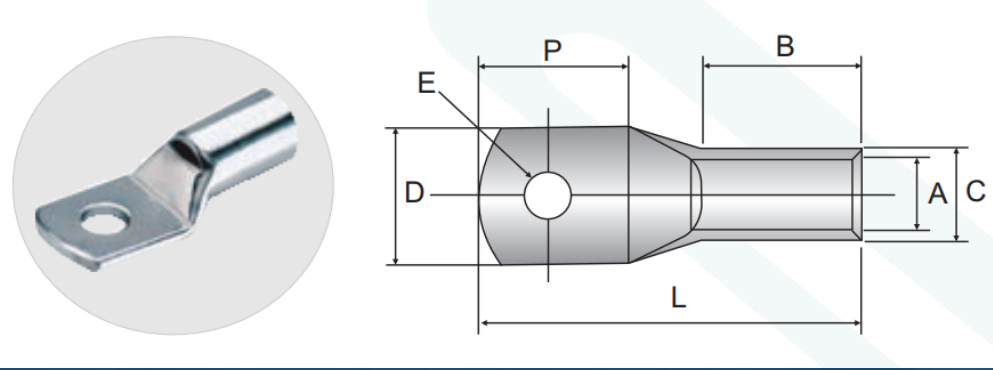
Cable Size	Stud Hole Size	Cable Lug Dimensions						Part No
	E	A	C	D	B	P	L	
1.5	4.2	1.8	3.7	8	10	9	21	EXHLB 1.5/4
1.5	5.5	1.8	3.7	8	10	9	21	EXHLB 1.5/5
1.5	6.5	1.8	3.7	10	10	11	23	EXHLB 1.5/6
2.5	4.2	2.4	4	8	10	9	21	EXHLB 2.5/4
2.5	5.5	2.4	4	10	10	11	23	EXHLB 2.5/5
2.5	6.5	2.4	4	10	10	11	23	EXHLB 2.5/6
4	5.5	3.1	4.8	10	10	11	23	EXHLB 4.0/5
4	6.5	3.1	4.8	10	10	11	23	EXHLB 4.0/6
6	5.5	3.8	5.5	10	13	11	27	EXHLB 6.0/5
6	6.5	3.8	5.5	12	13	15	31	EXHLB 6.0/6
6	8.5	3.8	5.5	12	13	15	31	EXHLB 6.0/8
10	5.5	4.5	6.2	11	13	13	29	EXHLB 10/5
10	6.5	4.5	6.2	12	13	13	29	EXHLB 10/6
10	8.5	4.5	6.2	12	13	15	31	EXHLB 10/8
16	6.5	5.4	7.1	12	18	14	36	EXHLB 16/6
16	8.5	5.4	7.1	12	18	14	36	EXHLB 16/8
25	6.5	6.8	8.8	13	20	14	38	EXHLB 25/6
25	8.5	6.8	8.8	18	20	21	45	EXHLB 25/8
25	10.5	6.8	8.8	18	20	21	45	EXHLB 25/10
35	6.5	8.2	10.6	15	20	18	43	EXHLB 35/6
35	8.5	8.2	10.6	15	20	18	43	EXHLB 35/8
35	10.5	8.2	10.6	18	20	21	46	EXHLB 35/10
50	8.5	9.5	12.4	18	23	21	50	EXHLB 50/8

Cable Size	Stud Hole Size	Cable Lug Dimensions						Part No
	E	A	C	D	B	P	L	
50	10.5	9.5	12.4	18	23	21	50	EXHLB 50/10
50	12.5	9.5	12.4	18	23	23	52	EXHLB 50/12
70	8.5	11.2	14.7	21	25	25	57	EXHLB 70/8
70	10.5	11.2	14.7	21	25	25	57	EXHLB 70/10
70	12.5	11.2	14.7	21	25	25	57	EXHLB 70/12
95	10.5	13.5	17.4	25	30	26	65	EXHLB 95/10
95	12.5	13.5	17.4	25	30	26	65	EXHLB 95/12
120	10.5	15	19.4	28	33	28	71	EXHLB 120/10
120	12.5	15	19.4	28	33	28	71	EXHLB 120/12
120	17.0	15	19.4	28	33	32	75	EXHLB 120/16
150	12.5	16.5	21.2	30	39	32	82	EXHLB 150/12
150	14.7	16.5	21.2	30	39	32	82	EXHLB 150/14
150	17.0	16.5	21.2	30	39	32	82	EXHLB 150/16
185	12.5	18.5	23.5	34	45	34	91	EXHLB 185/12
185	14.7	18.5	23.5	34	45	34	91	EXHLB 185/14
185	17.0	18.5	23.5	34	45	34	91	EXHLB 185/16
240	12.5	21	26.5	38	50	40	104	EXHLB 240/12
240	14.7	21	26.5	38	50	40	104	EXHLB 240/14
240	17.0	21	26.5	38	50	40	104	EXHLB 240/16
240	21.0	21	26.5	38	50	40	104	EXHLB 240/20
300	14.7	23.5	30	43	55	44	114	EXHLB 300/14
300	17.0	23.5	30	43	55	44	114	EXHLB 300/16
300	21.0	23.5	30	43	55	44	114	EXHLB 300/20
400	17.0	28.5	36.5	52.5	66	52	136	EXHLB 400/16
400	21.0	28.5	36.5	52.5	66	52	136	EXHLB 400/20
500	17.0	30	39	56	72	56	148	EXHLB 500/16
500	21.0	30	39	56	72	56	148	EXHLB 500/20
630	17.0	35	45	65	80	66	168	EXHLB 630/16
630	21.0	35	45	65	80	66	168	EXHLB 630/20
800	Blank	39	50.6	73	98	75	190	EXHLB 800/BL
1000	Blank	43	56.2	81	125	90	235	EXHLB 1000/BL

Technical Data:

- All dimensions in mm.
- Material: Cable Lugs manufactured from Electrolytic Copper.
- Range: Cable Range from 1.5 to 1000 mm² with different stud hole.
- Finish: Lead Free Electro Tin Plated to prevent atmospheric corrosion.
- Application: Used for termination of copper conductors to equipment & switch gear panels..

Medium Duty Cable Lugs



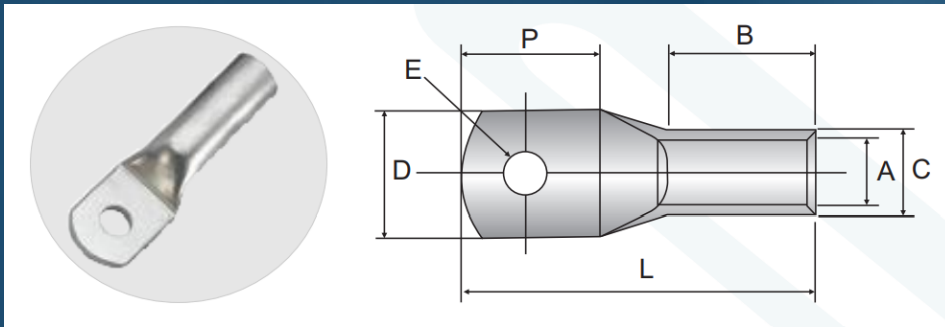
Cable Size	Stud Hole Size	Cable Lug Dimensions						Part No
	E	A	C	D	B	P	L	
1.5	4.2	1.8	3.7	8	5	9	16	EXMD 1.5/4
1.5	5.5	1.8	3.7	8	5	9	16	EXMD 1.5/5
1.5	6.5	1.8	3.7	10	5	11	18	EXMD 1.5/6
2.5	4.2	2.4	4	8	7	9	18	EXMD 2.5/4
2.5	5.5	2.4	4	10	7	11	20	EXMD 2.5/5
2.5	6.5	2.4	4	10	7	11	20	EXMD 2.5/6
4	5.5	3.1	4.8	10	7	11	20	EXMD 4.0/5
4	6.5	3.1	4.8	10	7	11	20	EXMD 4.0/6
6	5.5	3.8	5.5	10	9	11	23	EXMD 6.0/5
6	6.5	3.8	5.5	12	9	15	27	EXMD 6.0/6
6	8.5	3.8	5.5	12	9	15	27	EXMD 6.0/8
10	5.5	4.5	6.2	11	9	13	25	EXMD 10/5
10	6.5	4.5	6.2	12	9	13	25	EXMD 10/6
10	8.5	4.5	6.2	12	9	15	27	EXMD 10/8
16	6.5	5.4	7.1	12	12	14	30	EXMD 16/6
16	8.5	5.4	7.1	12	12	14	30	EXMD 16/8
25	6.5	6.8	8.8	13	12	14	30	EXMD 25/6
25	8.5	6.8	8.8	18	12	21	37	EXMD 25/8
25	10.5	6.8	8.8	18	12	21	37	EXMD 25/10
35	6.5	8.0	10.0	15	12	18	35	EXMD 35/6
35	8.5	8.0	10.0	15	12	18	35	EXMD 35/8
35	10.5	8.0	10.0	18	12	21	38	EXMD 35/10
50	8.5	9.2	11.2	18	16	21	43	EXMD 50/8

Cable Size	Stud Hole Size	Cable Lug Dimensions						Part No
	E	A	C	D	B	P	L	
50	10.5	9.2	11.2	18	16	21	43	EXMD 50/10
50	12.5	9.2	11.2	18	16	23	45	EXMD 50/12
70	8.5	11.5	13.8	21	18	25	50	EXMD 70/8
70	10.5	11.5	13.8	21	18	25	50	EXMD 70/10
70	12.5	11.5	13.8	21	18	25	50	EXMD 70/12
95	10.5	12.8	15.6	25	20	26	55	EXMD 95/10
95	12.5	12.8	15.6	25	20	26	55	EXMD 95/12
120	10.5	14.8	17.8	28	22	28	60	EXMD 120/10
120	12.5	14.8	17.8	28	22	28	60	EXMD 120/12
120	17.0	14.8	17.8	28	22	32	64	EXMD 120/16
150	12.5	16	19.6	30	26	32	69	EXMD 150/12
150	14.7	16	19.6	30	26	32	69	EXMD 150/14
150	17.0	16	19.6	30	26	32	69	EXMD 150/16
185	12.5	18	22	34	32	34	78	EXMD 185/12
185	14.7	18	22	34	32	34	78	EXMD 185/14
185	17.0	18	22	34	32	34	78	EXMD 185/16
240	12.5	22	26	38	38	40	92	EXMD 240/12
240	14.7	22	26	38	38	40	92	EXMD 240/14
240	17.0	22	26	38	38	40	92	EXMD 240/16
240	21.0	22	26	38	38	40	92	EXMD 240/20
300	14.7	24	28.7	43	42	44	101	EXMD 300/14
300	17.0	24	28.7	43	42	44	101	EXMD 300/16
300	21.0	24	28.7	43	42	44	101	EXMD 300/20
400	17.0	28.5	33.2	52.5	44	52	114	EXMD 400/16
400	21.0	28.5	33.2	52.5	44	52	114	EXMD 400/20
500	17.0	30	36	56	48	56	124	EXMD 500/16
500	21.0	30	36	56	48	56	124	EXMD 500/20
630	17.0	35	41.5	65	56	66	144	EXMD 630/16
630	21.0	35	41.5	65	56	66	144	EXMD 630/20
800	Blank	39	46.3	73	78	75	170	EXMD 800/BL
1000	Blank	43	52.2	81	90	90	200	EXMD 1000/BL

Technical Data:

- All dimensions in mm.
- Material: Cable Lugs manufactured from Electrolytic Copper.
- Range: Cable Range from 1.5 to 1000 mm² with different stud hole.
- Finish: Lead Free Electro Tin Plated to prevent atmospheric corrosion.
- Application: Used for termination of copper conductors to equipment & switch gear panels..

Medium Duty Long Barrel Cable Lugs



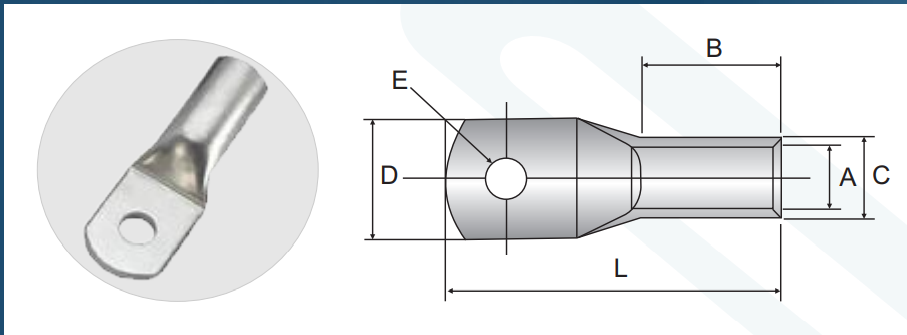
Cable Size	Stud Hole Size	Cable Lug Dimensions						Part No
	E	A	C	D	B	P	L	
1.5	4.2	1.8	3.7	8	10	9	21	EXMLB 1.5/4
1.5	5.5	1.8	3.7	8	10	9	21	EXMLB 1.5/5
1.5	6.5	1.8	3.7	10	10	11	23	EXMLB 1.5/6
2.5	4.2	2.4	4	8	10	9	21	EXMLB 2.5/4
2.5	5.5	2.4	4	10	10	11	23	EXMLB 2.5/5
2.5	6.5	2.4	4	10	10	11	23	EXMLB 2.5/6
4	5.5	3.1	4.8	10	10	11	23	EXMLB 4.0/5
4	6.5	3.1	4.8	10	10	11	23	EXMLB 4.0/6
6	5.5	3.8	5.5	10	13	11	27	EXMLB 6.0/5
6	6.5	3.8	5.5	12	13	15	31	EXMLB 6.0/6
6	8.5	3.8	5.5	12	13	15	31	EXMLB 6.0/8
10	5.5	4.5	6.2	11	13	13	29	EXMLB 10/5
10	6.5	4.5	6.2	12	13	13	29	EXMLB 10/6
10	8.5	4.5	6.2	12	13	15	31	EXMLB 10/8
16	6.5	5.4	7.1	12	18	14	36	EXMLB 16/6
16	8.5	5.4	7.1	12	18	14	36	EXMLB 16/8
25	6.5	6.8	8.8	13	20	14	38	EXMLB 25/6
25	8.5	6.8	8.8	18	20	21	45	EXMLB 25/8
25	10.5	6.8	8.8	18	20	21	45	EXMLB 25/10
35	6.5	8.0	10.0	15	20	18	43	EXMLB 35/6
35	8.5	8.0	10.0	15	20	18	43	EXMLB 35/8
35	10.5	8.0	10.0	18	20	21	46	EXMLB 35/10
50	8.5	9.2	11.2	18	23	21	50	EXMLB 50/8

Cable Size	Stud Hole Size	Cable Lug Dimensions						Part No
	E	A	C	D	B	P	L	
50	10.5	9.2	11.2	18	23	21	50	EXMLB 50/10
50	12.5	9.2	11.2	18	23	23	52	EXMLB 50/12
70	8.5	11.5	13.8	21	25	25	57	EXMLB 70/8
70	10.5	11.5	13.8	21	25	25	57	EXMLB 70/10
70	12.5	11.5	13.8	21	25	25	57	EXMLB 70/12
95	10.5	12.8	15.6	25	30	26	65	EXMLB 95/10
95	12.5	12.8	15.6	25	30	26	65	EXMLB 95/12
120	10.5	14.8	17.8	28	33	28	71	EXMLB 120/10
120	12.5	14.8	17.8	28	33	28	71	EXMLB 120/12
120	17.0	14.8	17.8	28	33	32	75	EXMLB 120/16
150	12.5	16	19.6	30	39	32	82	EXMLB 150/12
150	14.7	16	19.6	30	39	32	82	EXMLB 150/14
150	17.0	16	19.6	30	39	32	82	EXMLB 150/16
185	12.5	18	22	34	45	34	91	EXMLB 185/12
185	14.7	18	22	34	45	34	91	EXMLB 185/14
185	17.0	18	22	34	45	34	91	EXMLB 185/16
240	12.5	22	26	38	50	40	104	EXMLB 240/12
240	14.7	22	26	38	50	40	104	EXMLB 240/14
240	17.0	22	26	38	50	40	104	EXMLB 240/16
240	21.0	22	26	38	50	40	104	EXMLB 240/20
300	14.7	24	28.7	43	55	44	114	EXMLB 300/14
300	17.0	24	28.7	43	55	44	114	EXMLB 300/16
300	21.0	24	28.7	43	55	44	114	EXMLB 300/20
400	17.0	28.5	33.2	52.5	66	52	136	EXMLB 400/16
400	21.0	28.5	33.2	52.5	66	52	136	EXMLB 400/20
500	17.0	30	36	56	72	56	148	EXMLB 500/16
500	21.0	30	36	56	72	56	148	EXMLB 500/20
630	17.0	35	41.5	65	80	66	168	EXMLB 630/16
630	21.0	35	41.5	65	80	66	168	EXMLB 630/20
800	Blank	39	46.3	73	98	75	190	EXMLB 800/BL
1000	Blank	43	52.2	81	125	90	235	EXMLB 1000/BL

Technical Data:

- All dimensions in mm.
- Material: Cable Lugs manufactured from Electrolytic Copper.
- Range: Cable Range from 1.5 to 1000 mm² with different stud hole.
- Finish: Lead Free Electro Tin Plated to prevent atmospheric corrosion.
- Application: Used for termination of copper conductors to equipment & switch gear panels..

Heavy Duty Cable Lugs Without Inspection Window



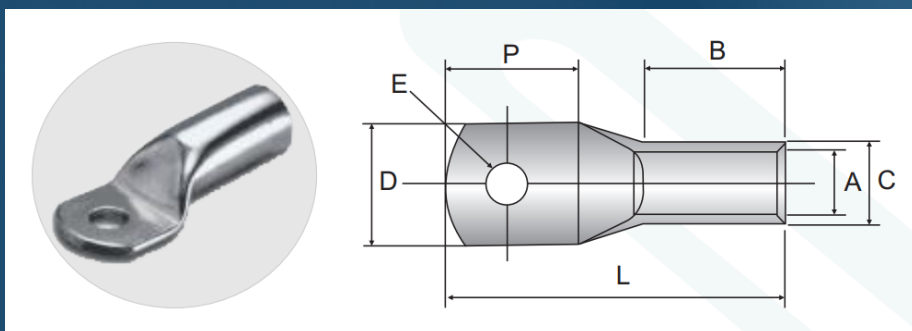
Cable Size	Stud Hole Size	Cable Lug Dimensions					Part No
	E	A	C	D	B	L	
1.5	4.2	1.8	3.7	8	10	21	EXN 1.5/4
1.5	5.5	1.8	3.7	8	10	21	EXN 1.5/5
1.5	6.5	1.8	3.7	10	10	23	EXN 1.5/6
2.5	4.2	2.4	4	8	10	21	EXN 2.5/4
2.5	5.5	2.4	4	10	10	23	EXN 2.5/5
2.5	6.5	2.4	4	10	10	23	EXN 2.5/6
4	5.5	3.1	4.8	10	10	23	EXN 4.0/5
4	6.5	3.1	4.8	10	10	23	EXN 4.0/6
6	6.4	4	6	10	10	26	EXN 6.0/6
10	6.5	4.4	6	10	11	28	EXN 10/6
10	8.5	4.4	6	13	12	30	EXN 10/8
16	6.5	5.5	8	12	14	32	EXN 16/6
16	8.5	5.5	8	15	14	34	EXN 16/8
16	10.5	5.5	8	16	14	34	EXN 16/10
25	8.5	6.8	9	14.5	13	33	EXN 25/8
25	10.5	6.8	9	17	13	33	EXN 25/10
35	6.5	8.2	11	15	16	37	EXN 35/6
35	8.5	8.2	11	15	16	41	EXN 35/8
35	10.5	8.2	11	18	16	41	EXN 35/10
50	8.5	8.2	11	16	20	46	EXN 50/8
50	10.5	8.2	11	16	20	50	EXN 50/10
50	12.5	8.2	11	18	20	50	EXN 50/12
70	10.5	11.2	14.5	21	22	53	EXN 70/10

Cable Size	Stud Hole Size	Cable Lug Dimensions					Part No
	E	A	C	D	B	L	
70	13	11.2	14.5	22	22	53	EXN 70/12
70	17	11.2	14.5	26	27	63	EXN 70/16
95	10.5	13.5	17	25	24	58	EXN 95/10
95	13	13.5	17	25	24	58	EXN 95/12
120	10.5	15	19.5	28	28	64	EXN 120/10
120	13	15	19.5	28	28	64	EXN 120/12
150	8.5	16.5	21	31	32	72	EXN 150/8
150	10.5	16.5	21	31	32	72	EXN 150/10
150	13	16.5	21	31	32	72	EXN 150/12
150	15	16.5	21	31	32	72	EXN 150/14
150	17	16.5	21	31	32	72	EXN 150/16
150	21	16.5	21	31	32	72	EXN 150/20
185	10.5	19	24	39	35	81	EXN 185/10
185	13	19	24	39	35	81	EXN 185/12
185	15	19	24	39	35	81	EXN 185/14
185	17	19	24	39	35	81	EXN 185/16
185	21	19	24	39	35	84	EXN 185/20
240	10.5	21	26	39	42	94	EXN 240/10
240	13	21	26	39	42	94	EXN 240/12
240	15	21	26	39	42	94	EXN 240/14
240	17	21	26	39	42	94	EXN 240/16
300	13	23.5	29.5	43	47	102	EXN 300/12
300	15	23.5	29.5	43	47	102	EXN 300/14
300	17	23.5	29.5	43	47	106	EXN300/16
300	21	23.5	29.5	43	47	106	EXN 300/20
400	17	27	34	49	47	113	EXN 400/16
400	21	27	34	49	47	113	EXN 400/20
500	17	31	38	56	73	142	EXN 500/16
500	21	31	38	56	73	142	EXN 500/20
630	17	34	40	59	73	145	EXN 630/16
630	21	34	40	59	73	145	EXN 630/20

Technical Data:

- All dimensions in mm.
- Material: Cable Lugs manufactured from Electrolytic Copper.
- Range: Cable Range from 1.5 to 1000 mm² with different stud hole.
- Finish: Lead Free Electro Tin Plated to prevent atmospheric corrosion.
- Application: Used for termination of copper conductors to equipment & switch gear panels..

Cable Lugs to DIN 46235



Cable Size	Stud Hole Size	Cable Lug Dimensions						Part No
	E	A	C	D	B	P	L	
6	5.3	3.8	5.5	8.5	10	15	33	EXD 6.0/6
10	6.5	4.5	6	9	10	18.5	37.5	EXD 10/6
16	6.5	5.5	8.5	12	20	18.5	46.5	EXD 16/6
16	8.4	5.5	8.5	12	20	23	49	EXD 16/8
16	10.5	5.5	8.5	17	20	27	51	EXD 16/10
16	13	5.5	8.5	19	20	27	51	EXD 16/12
25	6.5	7	10	15	20	18.5	48.5	EXD 25/6
25	8.4	7	10	15	20	23	51	EXD 25/8
25	10.5	7	10	17	20	27	53	EXD 25/10
25	13	7	10	19	20	27	53	EXD 25/12
35	8.4	8.2	12.5	17	20	23	55	EXD 35/8
35	10.5	8.2	12.5	19	20	27	57	EXD 35/10
35	13	8.2	12.5	21	20	27	57	EXD 35/12
50	8.4	10	14.5	22	28	23	65	EXD 50/8
50	10.5	10	14.5	22	28	27	67	EXD 50/10
50	13	10	14.5	23	28	27	67	EXD 50/12
50	17	10	14.5	28	28	33	70	EXD 50/16
70	8.4	11.5	16.5	24	28	23	68	EXD 70/8
70	10.5	11.5	16.5	24	28	27	70	EXD 70/10
70	13	11.5	16.5	32	28	27	70	EXD 70/12
70	17	11.5	16.5	32	28	33	74	EXD 70/16
95	10.5	13.5	19	28	35	27	80	EXD 95/10
95	13	13.5	19	28	35	27	80	EXD 95/12

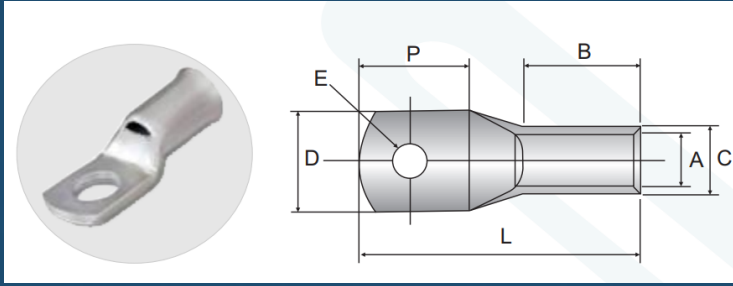


Cable Size	Stud Hole Size	Cable Lug Dimensions						Part No
	E	A	C	D	B	P	L	
95	17	13.5	19	32	35	35	84	EXD 95/16
120	10.5	15.5	21	32	35	27	85	EXD 120/10
120	13	15.5	21	32	35	27	85	EXD 120/12
120	17	15.5	21	32	35	35	89	EXD 120/16
120	21	15.5	21	38	35	42	92	EXD 120/20
150	10.5	17	23.5	34	35	27	94	EXD 150/10
150	13	17	23.5	34	35	27	94	EXD 150/12
150	17	17	23.5	34	35	35	97	EXD 150/16
150	21	17	23.5	40	35	42	99	EXD 150/20
185	10.5	19	25.5	40	40	31	97	EXD 185/10
185	13	19	25.5	40	40	31	97	EXD 185/12
185	17	19	25.5	40	40	35	101	EXD 185/16
185	21	19	25.5	40	40	42	104	EXD 185/20
240	10.5	21.5	29	42	40	31	107	EXD 240/10
240	13	21.5	29	42	40	31	107	EXD 240/12
240	17	21.5	29	42	40	35	111	EXD 240/16
240	21	21.5	29	45	40	42	114	EXD 240/20
300	17	24	32	48	50	35	119	EXD 300/16
300	21	24	32	48	50	42	122	EXD 300/20
400	17	27.5	38.5	55	70	41	140	EXD 400/16
400	21	27.5	38.5	55	70	45	140	EXD 400/20
500	21	31	42	60	70	45	150	EXD 500/20
630	21	34.5	44	60	80	45	160	EXD 630/20
800	21	40	52	75	100	45	190	EXD 800/20
1000	21	44	58	85	100	45	190	EXD 1000/20

Technical Data:

- All dimensions in mm.
- Material: Cable Lugs manufactured from Electrolytic Copper.
- Range: Cable Range from 1.5 to 1000 mm² with different stud hole.
- Finish: Lead Free Electro Tin Plated to prevent atmospheric corrosion.
- Application: Used for termination of copper conductors to equipment & switch gear panels..

Bell Mouth Type Cable Lugs

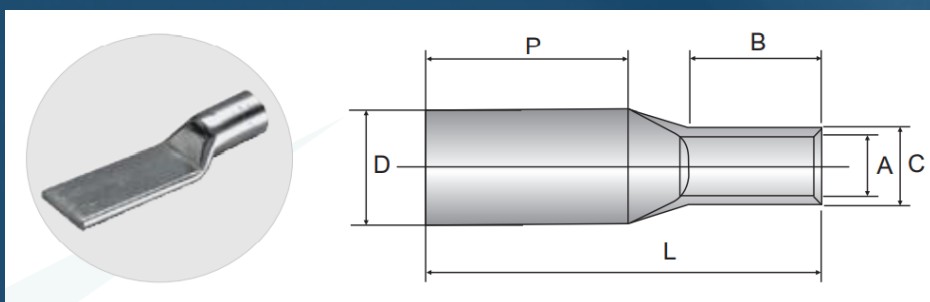


Cable Size	Stud Hole Size	Cable Lug Dimensions						Part No
	E	A	C	D	B	P	L	
10	6.5	4.5	6.2	12	10	13	26	EXBM 10/6
10	8.5	4.5	6.2	12	10	15	28	EXBM 10/8
16	6.5	5.4	7.1	12	12	14	30	EXBM 16/6
16	8.5	5.4	7.1	12	12	14	30	EXBM 16/8
25	6.5	6.8	8.8	13	12	14	30	EXBM 25/6
25	8.5	6.8	8.8	18	12	21	37	EXBM 25/8
35	6.5	8.2	10.6	15	13	18	36	EXBM 35/6
35	8.5	8.2	10.6	15	13	18	36	EXBM 35/8
50	8.5	9.5	12.4	18	16	21	43	EXBM 50/8
50	10.5	9.5	12.4	18	16	21	43	EXBM 50/10
70	8.5	11.2	14.7	21	18	25	50	EXBM 70/8
70	10.5	11.2	14.7	21	18	25	50	EXBM 70/10
95	10.5	13.5	17.4	25	20	26	55	EXBM 95/10
95	12.5	13.5	17.4	25	20	26	55	EXBM 95/12
120	10.5	15	19.4	28	22	28	60	EXBM 120/10
120	12.5	15	19.4	28	22	28	60	EXBM 120/12
150	12.5	16.5	21.2	30	27	32	70	EXBM 150/12
150	17.0	16.5	21.2	30	27	32	70	EXBM 150/16
185	17.0	18.5	23.5	34	33	34	79	EXBM 185/16
240	17.0	21	26.5	38	40	40	94	EXBM 240/16

Technical Data:

- All dimensions in mm.
- Material: Cable Lugs manufactured from Electrolytic Copper.
- Range: Cable Range from 1.5 to 1000 mm² with different stud hole.
- Finish: Lead Free Electro Tin Plated to prevent atmospheric corrosion.
- Application: Used for termination of copper conductors to equipment & switch gear panels..

Long Palm Cable Lugs

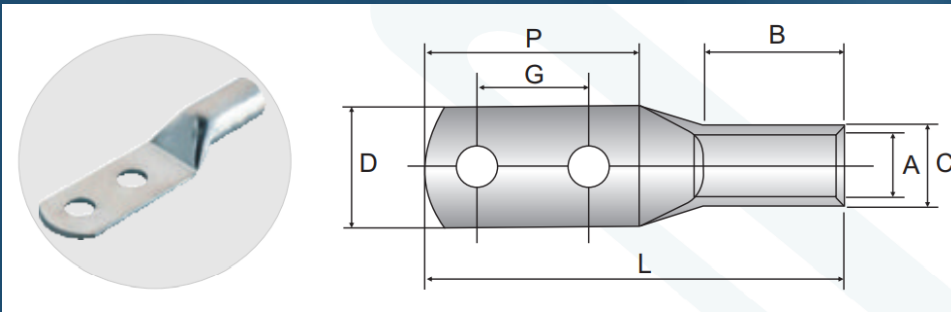


Cable Size	Cable Lug Dimensions						Part No
	A	C	D	B	P	L	
10	4.5	6.2	11	13	75	91	EXLP 10
16	5.4	7.1	12	18	78	100	EXLP 16
25	6.8	8.8	18	20	76	100	EXLP 25
35	8.2	10.6	18	20	75	100	EXLP 35
50	9.5	12.4	18	23	80	109	EXLP 50
70	11.2	14.7	21	25	82	114	EXLP 70
95	13.5	17.4	25	30	77	116	EXLP 95
120	15	19.4	28	33	79	122	EXLP 120
150	16.5	21.2	30	39	76	126	EXLP 150
185	18.5	23.5	34	45	75	132	EXLP 185
240	21	26.5	38	50	81	145	EXLP 240
300	23.5	30	43	55	75	145	EXLP 300
400	28.5	36.5	52.5	66	76	160	EXLP 400
500	30	39	56	72	70	162	EXLP 500
630	35	45	65	80	65	167	EXLP 630

Technical Data:

- All dimensions in mm.
- Material: Cable Lugs manufactured from Electrolytic Copper.
- Range: Cable Range from 1.5 to 1000 mm² with different stud hole.
- Finish: Lead Free Electro Tin Plated to prevent atmospheric corrosion.
- Application: Used for termination of copper conductors to equipment & switch gear panels..

Twin Hole Cable Lugs

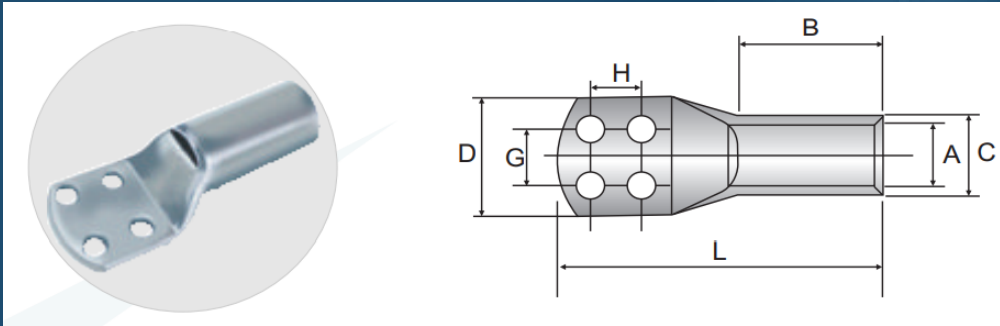


Cable Size	Stud Hole Size	Cable Lug Dimensions							Part No
	E	A	C	D	B	G	P	L	
16	10.5	5.4	7.1	14.5	18	44.5	78	100	EXTH 16/10
25	10.5	6.8	8.8	15	20	44.5	76	100	EXTH 25/10
35	10.5	8.2	10.6	16.5	20	44.5	75	100	EXTH 35/10
50	10.5	9.5	12.4	17	23	44.5	80	109	EXTH 50/10
50	12.5	9.5	12.4	17	23	44.5	80	109	EXTH 50/12
70	10.5	11.2	14.7	21	25	44.5	82	114	EXTH 70/10
70	12.5	11.2	14.7	21	25	44.5	82	114	EXTH 70/12
95	10.5	13.5	17.4	25	30	44.5	77	116	EXTH 95/10
95	12.5	13.5	17.4	25	30	44.5	77	116	EXTH 95/12
120	10.5	15	19.4	27.5	33	44.5	79	122	EXTH 120/10
120	12.5	15	19.4	27.5	33	44.5	79	122	EXTH 120/12
150	10.5	16.5	21.2	30	39	44.5	76	126	EXTH 150/10
150	12.5	16.5	21.2	30	39	44.5	76	126	EXTH 150/12
185	10.5	18.5	23.5	33.5	45	44.5	75	132	EXTH 185/10
185	12.5	18.5	23.5	33.5	45	44.5	75	132	EXTH 185/12
240	12.5	21	26.5	38.5	50	44.5	81	145	EXTH 240/12
300	12.5	23.5	30	43	55	44.5	75	145	EXTH 300/12
400	12.5	28.5	36.5	52.5	66	44.5	76	160	EXTH 400/12
500	12.5	30	39	56	72	44.5	70	162	EXTH 500/12
630	12.5	35	45	60	80	44.5	65	167	EXTH 630/12

Technical Data:

- All dimensions in mm.
- Material: Cable Lugs manufactured from Electrolytic Copper.
- Range: Cable Range from 1.5 to 1000 mm² with different stud hole.
- Finish: Lead Free Electro Tin Plated to prevent atmospheric corrosion.
- Application: Used for termination of copper conductors to equipment & switch gear panels..

Four Hole Cable Lugs

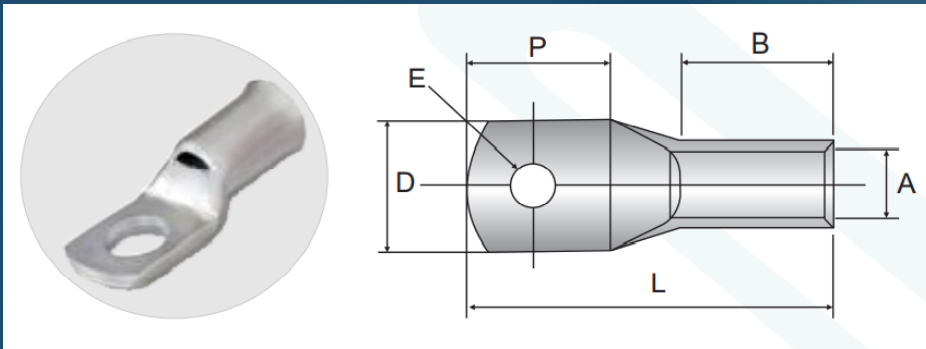


Cable Size	Stud Hole Size	Cable Lug Dimensions							Part No
	E	A	C	D	B	H	G	L	
400	10.5	28.5	36.5	52.5	44	25	35	114	EXFH 400/10
400	12.5	28.5	36.5	52.5	44	25	35	114	EXFH 400/12
500	10.5	30	39	56	48	25	35	124	EXFH 500/10
500	12.5	30	39	56	48	25	35	124	EXFH 500/12
630	10.5	35	45	65	56	25	35	144	EXFH 630/10
630	12.5	35	45	65	56	25	35	144	EXFH 630/12
800	10.5	39	50.6	72	78	25	35	170	EXFH 800/10
800	12.5	39	50.6	72	78	25	35	170	EXFH 800/12
1000	10.5	43	56.2	78.5	90	25	35	200	EXFH 1000/10
1000	12.5	43	56.2	78.5	90	25	35	200	EXFH 1000/12

Technical Data:

- All dimensions in mm.
- Material: Cable Lugs manufactured from Electrolytic Copper.
- Range: Cable Range from 1.5 to 1000 mm² with different stud hole.
- Finish: Lead Free Electro Tin Plated to prevent atmospheric corrosion.
- Application: Used for termination of copper conductors to equipment & switch gear panels..

Australian Standard Cable Lugs



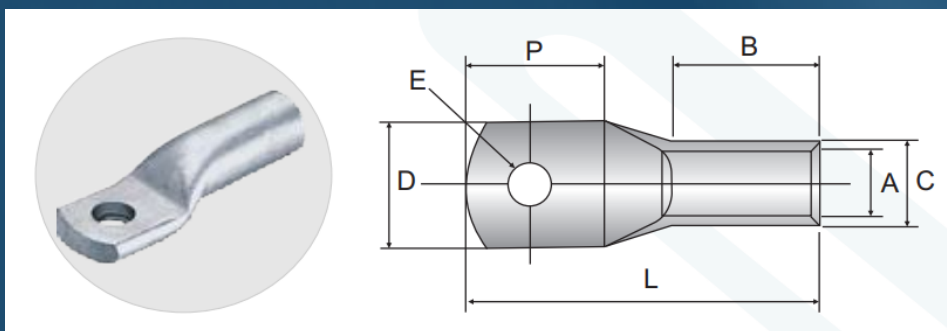
Cable Size	Stud Hole Size	Cable Lug Dimensions					Part No
	E	A	D	B	P	L	
1.5	4.2	2	8	7.5	9	18.5	EXAT 1.5/4
1.5	5.2	2	8	7.5	9	18.5	EXAT 1.5/5
1.5	6.5	2	10	7.5	10	19.5	EXAT 1.5/6
2.5	4.2	2.5	8	8	9	19	EXAT 2.5/4
2.5	5.2	2.5	10	8	11	20	EXAT 2.5/5
2.5	6.5	2.5	10	8	11	20	EXAT 2.5/6
2.5	8.4	2.5	11	8	15	26	EXAT 2.5/8
4	5.2	3.3	10	9	11	22	EXAT 4.0/5
4	6.5	3.3	10	9	11	22	EXAT 4.0/6
4	8.4	3.3	12	9	15	26	EXAT 4.0/8
4	10.2	3.3	15	9	19	32	EXAT 4.0/10
6	5.2	3.8	10	10	11	23	EXAT 6.0/5
6	6.5	3.8	12	10	15	27	EXAT 6.0/6
6	8.4	3.8	12	10	15	27	EXAT 6.0/8
6	10.2	3.8	15	10	19	32	EXAT 6.0/10
10	6.5	4.7	12	10	13	27	EXAT 10/6
10	8.4	4.7	14	10	15	29	EXAT 10/8
10	10.5	4.7	15	10	18	32	EXAT 10/10
16	6.5	5.5	11	19	16	39	EXAT 16/6
16	8.4	5.5	14	19	16	39	EXAT 16/8
16	10.5	5.5	16	19	18	41	EXAT 16/10
25	6.5	7.1	13.5	21	16	41	EXAT 25/6
25	8.4	7.1	13.5	21	16	41	EXAT 25/8

Cable Size	Stud Hole Size	Cable Lug Dimensions					Part No
	E	A	D	B	P	L	
25	10.5	7.1	16	21	19	44	EXAT 25/10
35	6.5	8.4	16	21	19	45	EXAT 35/6
35	8.4	8.4	16	21	19	45	EXAT 35/8
35	10.5	8.4	18	21	19	45	EXAT 35/10
50	6.5	9.5	18	22	18	46	EXAT 50/6
50	8.4	9.5	18	22	18	46	EXAT 50/8
50	10.5	9.5	18	22	18	52	EXAT 50/10
70	6.5	11.3	21	22	24	54	EXAT 70/6
70	8.4	11.3	21	24	24	54	EXAT 70/8
70	10.5	11.3	21	24	24	54	EXAT 70/10
95	10.5	13.5	25	27	26	60	EXAT 95/10
95	13	13.5	25	27	26	60	EXAT 95/12
95	17.0	13.5	25	27	30	61	EXAT 95/16
120	10.5	15.6	30	30	26	64	EXAT 120/10
120	13	15.6	30	30	26	64	EXAT 120/12
120	17.0	15.6	30	30	32	72	EXAT 120/16
150	10.5	16.7	32	30	32	71	EXAT 150/10
150	13	16.7	32	32	36	75	EXAT 150/12
150	17.0	16.7	32	30	36	75	EXAT 150/16
185	10.5	10.5	36	32	32	74	EXAT 185/10
185	13	18.5	36	32	36	79	EXAT 185/12
185	17	18.4	36	32	36	79	EXAT 185/16
240	13.0	21.2	41	38	42	92	EXAT 240/12
240	17	21.2	41	38	42	92	EXAT 240/16
300	13.0	23.8	46	42	46	101	EXAT 300/12
300	17.0	23.8	46	42	46	101	EXAT 300/16
400	Blank	26.8	50	44	48	107	EXAT 400/BL
500	Blank	30	56	50	54	119	EXAT 500/BL
630	Blank	34	64.4	58	64	139	EXAT 630/BL

Technical Data:

- All dimensions in mm.
- Material: Cable Lugs manufactured from Electrolytic Copper.
- Range: Cable Range from 1.5 to 1000 mm² with different stud hole.
- Finish: Lead Free Electro Tin Plated to prevent atmospheric corrosion.
- Application: Used for termination of copper conductors to equipment & switch gear panels..

Aluminum Cable Lugs



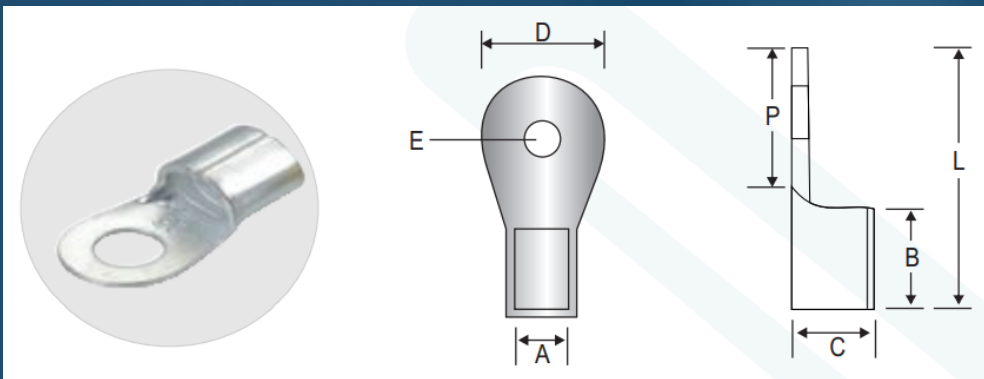
Cable Size	Stud Hole Size	Cable Lug Dimensions						Part No
	E	A	C	D	B	P	L	
2.5	4.5	2	5.5	6.6	7	8	18	EXAL 2.5/4
2.5	5.5	2.6	5.5	7	7	8	18	EXAL 2.5/5
4	4.5	2.9	5.5	7.2	7	8	18	EXAL 4.0/4
4	5.5	2.9	5.5	12	7	13	24	EXAL 4.0/5
6	5.5	3.5	5.5	7.5	7	13	24	EXAL 6.0/5
6	6.5	3.5	5.5	12	7	13	24	EXAL 6.0/6
10	5.5	3.8	6.2	8.4	7	17	28	EXAL 10/5
10	6.5	4.4	7.2	9.7	9	17	30	EXAL 10/6
10	8.5	4.4	7.2	15	9	17	30	EXAL 10/8
16	6.5	5.4	8.3	11.4	13	20	37	EXAL 16/6
16	8.5	5.4	8.3	11.4	13	20	37	EXAL 16/8
16	10.5	5.4	8.3	18	13	20	37	EXAL 16/10
25	6.5	7	9.7	13.7	16	21	44	EXAL 25/6
25	8.5	7	9.7	13.7	16	21	44	EXAL 25/8
25	10.5	7	9.7	20	16	21	44	EXAL 25/10
25	12.5	7	9.7	20	16	21	44	EXAL 25/12
35	6.5	8	10.8	15.4	18	22	47	EXAL 35/6
35	8.5	8	10.8	15.4	18	22	47	EXAL 35/8
35	10.5	8	10.8	20	18	22	47	EXAL 35/10
50	8.5	9.3	13	18.3	22	24	54	EXAL 50/8
50	10.5	9.3	13	23	22	24	54	EXAL 50/10
50	12.5	9.3	13	23	22	24	54	EXAL 50/12
70	8.5	11.6	16	22.6	26	26	60	EXAL 70/8

Cable Size	Stud Hole Size	Cable Lug Dimensions					Part No
	E	A	D	B	P	L	
70	10.5	7.1	16	21	19	44	EXAT 25/10
70	6.5	8.4	16	21	19	45	EXAT 35/6
95	8.4	8.4	16	21	19	45	EXAT 35/8
95	10.5	8.4	18	21	19	45	EXAT 35/10
95	6.5	9.5	18	22	18	46	EXAT 50/6
120	8.4	9.5	18	22	18	46	EXAT 50/8
120	10.5	9.5	18	22	18	52	EXAT 50/10
120	6.5	11.3	21	22	24	54	EXAT 70/6
150	8.4	11.3	21	24	24	54	EXAT 70/8
150	10.5	11.3	21	24	24	54	EXAT 70/10
150	10.5	13.5	25	27	26	60	EXAT 95/10
185	13	13.5	25	27	26	60	EXAT 95/12
185	17.0	13.5	25	27	30	61	EXAT 95/16
185	10.5	15.6	30	30	26	64	EXAT 120/10
240	13	15.6	30	30	26	64	EXAT 120/12
240	17.0	15.6	30	30	32	72	EXAT 120/16
300	10.5	16.7	32	30	32	71	EXAT 150/10
300	13	16.7	32	32	36	75	EXAT 150/12
400	17.0	16.7	32	30	36	75	EXAT 150/16
500	10.5	10.5	36	32	32	74	EXAT 185/10
630	13	18.5	36	32	36	79	EXAT 185/12
800	17	18.4	36	32	36	79	EXAT 185/16
1000	13.0	21.2	41	38	42	92	EXAT 240/12

Technical Data:

- All dimensions in mm.
- Material: Cable Lugs manufactured from Electrolytic Copper.
- Range: Cable Range from 1.5 to 1000 mm² with different stud hole.
- Finish: Lead Free Electro Tin Plated to prevent atmospheric corrosion.
- Application: Used for termination of copper conductors to equipment & switch gear panels..

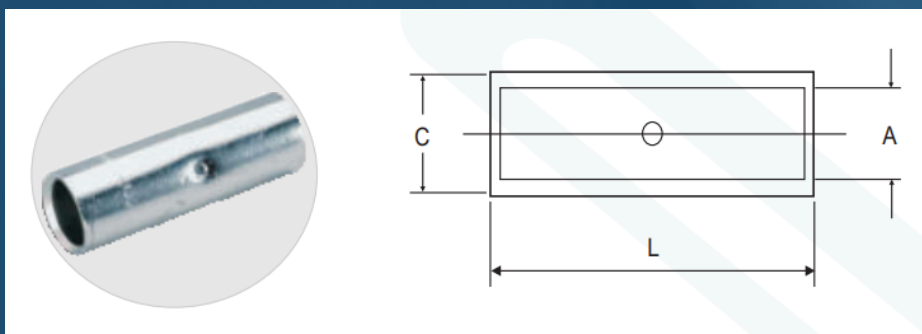
Ring Type Cable Lugs



Cable Size	Stud Hole Size	Cable Lug Dimensions						Part No
	E	A	C	D	B	P	L	
1.5	3.2	1.6	3.2	6	5	7	14	ER-7001
1.5	3.7	1.6	3.2	6	5	7	14	ER-7002
1.5	4.2	1.6	3.2	6	5	7	14	ER-7003
1.5	3.7	1.6	3.2	6.8	5	7	13	ER-7048
1.5	4.2	1.6	3.2	6.8	5	7	13	ER-7049
1.5	4.2	1.6	3.2	8	5	9	16	ER-7004
1.5	5.2	1.6	3.2	8	5	9	16	ER-7005
1.5	4.2	1.6	3.2	7	5	8.5	14.5	ER-7154
1.5	5.2	1.6	3.2	10	5	11	18	ER-7006
2.5	3.2	2.3	3.9	6.5	5	6.7	12.7	ER-7107
2.5	3.7	2.3	3.9	6.5	5	6.7	12.7	ER-7008
2.5	3.7	2.3	3.9	8	5	9	16	ER-7108
2.5	4.2	2.3	3.9	8	5	9	16	ER-7009
2.5	5.2	2.3	3.9	8	5	9	16	ER-7010
2.5	5.2	2.3	3.9	10	5	12	18	ER-7109
2.5	6.4	2.3	3.9	10	5	12	18	ER-7011
2.5	5.2	2.3	3.9	12	5	15	22	ER-7110
4.6	4.2	3.5	5.5	8	6	9	17	ER-7155
4.6	5.2	3.5	5.5	8	6	9	17	ER-7050
4.6	5.2	3.5	5.5	10	6	10	19	ER-7016
4.6	6.4	3.5	5.5	12	6	12	20	ER-7017
4.6	8.2	3.5	5.5	12	6	12	20	ER-7018
4.6	6.4	3.5	5.5	12	6	13	22	ER-7019

Cable Size	Stud Hole Size	Cable Lug Dimensions						Part No
	E	A	C	D	B	P	L	
4.6	6.4	3.5	5.5	14	6	17.5	25.5	ER-7115
4.6	8.2	3.5	5.5	14	6	17.5	25.5	ER-7020
4.6	8.2	3.5	5.5	16	6	21	30	ER-7116
10	5.2	4.3	6.3	10	8	12	22	ER-7025
10	5.2	4.3	6.3	10	8	9	20	ER-7026
10	10	4.3	6.3	16	8	15	27	ER-7027
10	6.4	4.3	6.3	12	8	13	23	ER-7120
10	8.2	4.3	6.3	16	8	15	27	ER-7121
16	5.2	5.6	8	10	10	11	24	ER-7124
16	6.4	5.6	8	12	10	12	26	ER-7029
16	8.2	5.6	8	16	10	16	30	ER-7030
16	10	5.6	8	22	10	19	35	ER-7032
25	6.4	7.5	11.1	12	11	16	31	ER-7156
25	8.2	7.5	11.1	16	11	14	30	ER-7034
25	10	7.5	11.1	16	11	14	30	ER-7035
35	6.4	9	12.6	16	12	14	31	ER-7133
35	8.2	9	12.6	16	12	14	31	ER-7038
35	10.2	9	12.6	18	12	19	36	ER-7039
50	8.2	10.5	14.1	18	16	21	43	ER-7136
50	10.2	10.5	14.1	22	16	20	43	ER-7137
70	10.2	12	16	22	18	22	47	ER-7140
70	12.7	12	16	24	18	22	48	ER-7141
95	10.2	13.5	18.1	24	20	24	50	ER-7144
95	12.7	13.5	18.1	24	20	24	50	ER-7044
95	16.2	13.5	18.1	28	20	31	58	ER-7145
120	12.7	15	20.2	26	22	20	52	ER-7146
120	16.2	15	20.2	32	22	35	64	ER-7147
120	20.3	15	20.2	40	22	42	74	ER-7148
150	12.7	16.5	23.7	34	24	33	66	ER-7149
150	16.2	16.5	23.7	34	24	33	66	ER-7045
150	20.3	16.5	23.7	34	24	40	74	ER-7046

Connectors- Heavy Duty Long Barrel

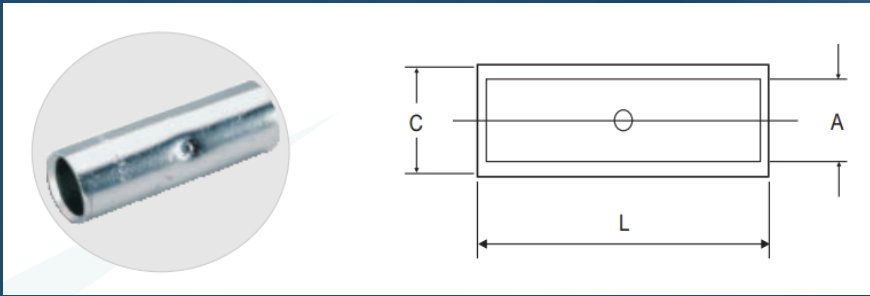


Cable Size	Cable Lug Dimensions			Part No
	A	C	L	
1.5	1.8	3.7	22	EX FLB 1.5
2.5	2.4	4	22	EX FLB 2.5
4	3.1	4.8	22	EX FLB 4
6	3.8	5.5	22	EX FLB 6
10	4.5	6.2	22	EX FLB 10
16	5.4	7.1	44	EX FLB 16
25	6.8	8.8	47	EX FLB 25
35	8.2	10.6	47	EX FLB 35
50	9.5	12.4	47	EX FLB 50
70	11.2	14.7	50	EX FLB 70
95	13.5	17.4	54	EX FLB 95
120	15	19.4	65	EX FLB 120
150	16.5	21.2	65	EX FLB 150
185	18.5	23.5	65	EX FLB 185
240	21	26.5	89	EX FLB 240
300	23.5	30	89	EX FLB 300
400	28.5	36.5	90	EX FLB 400
500	30	39	115	EX FLB 500
630	35	45	115	EX FLB 630
800	39	50.6	230	EX FLB 800

Technical Data:

- All dimensions in mm.
- Material: Cable Lugs manufactured from Electrolytic Copper.
- Range: Cable Range from 1.5 to 1000 mm² with different stud hole.
- Finish: Lead Free Electro Tin Plated to prevent atmospheric corrosion.
- Application: Used for termination of copper conductors to equipment & switch gear panels..

Connectors- Heavy Duty Short Barrel

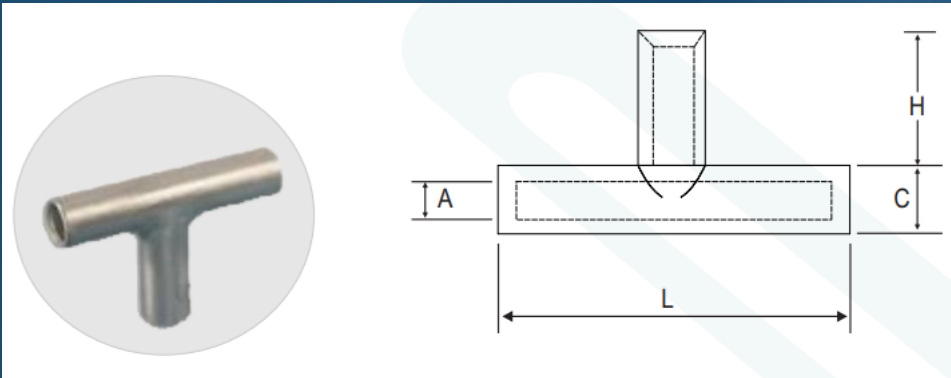


Cable Size	Cable Lug Dimensions			Part No
	A	C	L	
1.5	1.8	3.7	12	EX FSB 1.5
2.5	2.4	4	15	EX FSB 2.5
4	3.1	4.8	15	EX FSB 4
6	3.8	5.5	15	EX FSB 6
10	4.5	6.2	20	EX FSB 10
16	5.4	7.1	20	EX FSB 16
25	6.8	8.8	32	EX FSB 25
35	8.2	10.6	36	EX FSB 35
50	9.5	12.4	40	EX FSB 50
70	11.2	14.7	45	EX FSB 70
95	13.5	17.4	45	EX FSB 95
120	15	19.4	45	EX FSB 120
150	16.5	21.2	50	EX FSB 150
185	18.5	23.5	60	EX FSB 185
240	21	26.5	80	EX FSB 240
300	23.5	30	85	EX FSB 300
400	28.5	36.5	85	EX FSB 400
500	30	39	100	EX FSB 500
630	35	45	110	EX FSB 630
800	39	50.6	150	EX FSB 800

Technical Data:

- All dimensions in mm.
- Material: Cable Lugs manufactured from Electrolytic Copper.
- Range: Cable Range from 1.5 to 1000 mm² with different stud hole.
- Finish: Lead Free Electro Tin Plated to prevent atmospheric corrosion.
- Application: Used for termination of copper conductors to equipment & switch gear panels..

T Connectors

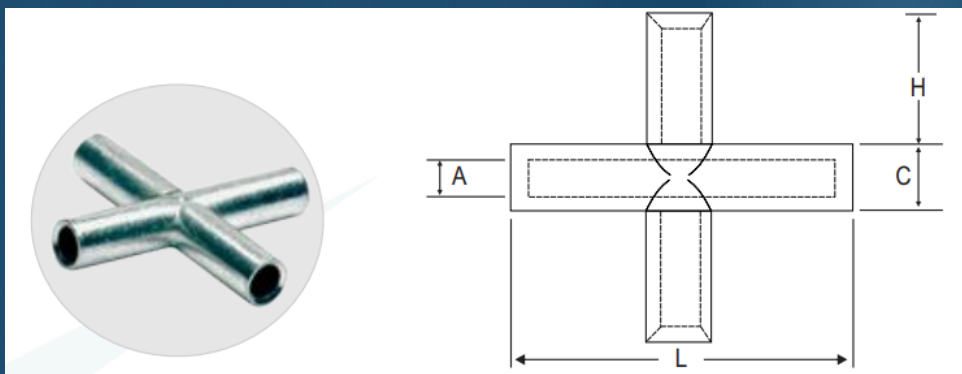


Cable Size	Cable Lug Dimensions				Part No
	A	C	L	H	
1.5	1.8	3.3	30	12	EX TC 1.5
2.5	2.3	4.2	30	12	EX TC 2.5
4	3	5	30	12	EX TC 4
6	4	6	35	14	EX TC 6
10	4.5	7	35	14	EX TC 10
16	5.5	8.5	50	21	EX TC 16
25	7	10	55	23	EX TC 25
35	8.5	12	70	30	EX TC 35
50	10	14	80	34	EX TC 50
70	12	16.5	85	35	EX TC 70
95	13.5	18	90	36	EX TC 95
120	15	9.5	95	38	EX TC 120
150	16.5	21	110	44	EX TC 150
185	19	24	115	45	EX TC 185
240	21	26	130	52	EX TC 240

Technical Data:

- All dimensions in mm
- Material: Cable Connectors manufactured from Electrolytic Copper
- Finish: Lead Free Electro Tin Plated to prevent atmospheric corrosion

Cross Connectors

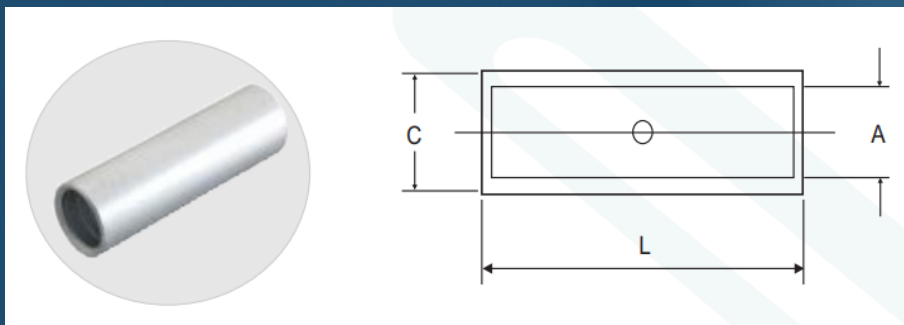


Cable Size	Cable Lug Dimensions				Part No
	A	C	L	H	
1.5	1.8	3.3	30	12	EX CC 1.5
2.5	2.3	4.2	30	12	EX CC 2.5
4	3	5	30	12	EX CC 4
6	4	6	35	14	EX CC 6
10	4.5	7	35	14	EX CC 10
16	5.5	8.5	50	21	EX CC 16
25	7	10	55	23	EX CC 25
35	8.5	12	70	30	EX CC 35
50	10	14	80	34	EX CC 50
70	12	16.5	85	35	EX CC 70
95	13.5	18	90	36	EX CC 95
120	15	9.5	95	38	EX CC 120
150	16.5	21	110	44	EX CC 150
185	19	24	115	45	EX CC 185
240	21	26	130	52	EX CC 240

Technical Data:

- All dimensions in mm
- Material: Cable Connectors manufactured from Electrolytic Copper
- Finish: Lead Free Electro Tin Plated to prevent atmospheric corrosion

Aluminum Connectors

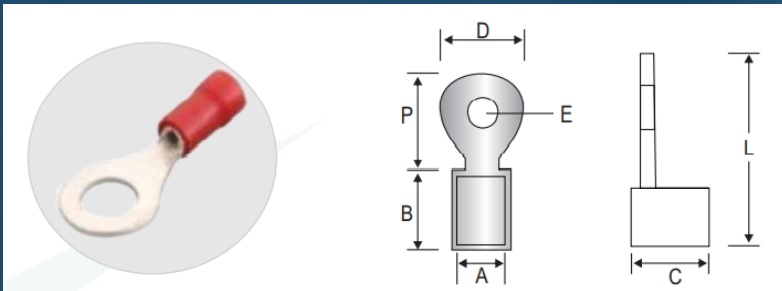


Cable Size	Cable Lug Dimensions			Part No
	A	C	L	
2.5	2.6	5.5	16	EXALC 2.5
4	2.9	5.5	16	EXALC 4
6	3.5	5.5	16	EXALC 6
10	3.8	6.2	20	EXALC 10
16	5.4	8.3	26	EXALC 16
25	7	9.7	35	EXALC 25
35	8	10.8	40	EXALC 35
50	9.3	13	45	EXALC 50
70	11.6	16	55	EXALC 70
95	12.9	17.1	60	EXALC 95
120	15	19	65	EXALC 120
150	16.5	21.5	70	EXALC 150
185	18.5	24	75	EXALC 185
240	22	28	90	EXALC 240
300	24	31	100	EXALC 300
400	28	36	115	EXALC 400
500	31	41	125	EXALC 500
630	36	46	140	EXALC 630
800	39	51	160	EXALC 800
1000	43.5	57	210	EXALC 1000

Technical Data:

- All dimensions in mm
- Material: Cable Connectors manufactured from Aluminum
- Range: Cable Range from 1.5 to 1000 mm²
- Finish: Lead Free Electro Tin Plated to prevent atmospheric corrosion

Ring Type Insulated Cable Lugs



Cable Size	Stud Hole Size	Cable Lug Dimensions						Part No
	E	A	C	D	B	P	L	
1.5	3.2	1.6	3.2	6	5	7	19	EFI-7055
1.5	3.7	1.6	3.2	6	5	7	19	EFI-7056
1.5	3.7	1.6	3.2	6.8	5	7	18	EFI-7058
1.5	4.2	1.6	3.2	6.8	5	7	18	EFI-7059
1.5	4.2	1.6	3.2	8	5	9	21	EFI-7061
1.5	5.2	1.6	3.2	8	5	9	21	EFI-7062
1.5	4.2	1.6	3.2	7	5	8.5	19.5	EFI-7063
2.5	3.2	2.3	3.9	6.5	5	6.7	17.7	EFI-7068
2.5	3.7	2.3	3.9	6.5	5	6.7	17.7	EFI-7069
2.5	3.7	2.3	3.9	8	5	9	21	EFI-7070
2.5	4.2	2.3	3.9	8	5	9	21	EFI-7071
2.5	5.2	2.3	3.9	8	5	9	21	EFI-7072
2.5	5.2	2.3	3.9	10	5	12	23	EFI-7073
2.5	6.4	2.3	3.9	10	5	12	23	EFI-7074
4-6	4.2	3.5	5.5	8	6	9	25	EFI-7083
4-6	5.2	3.5	5.5	8	6	9	25	EFI-7084
4-6	5.2	3.5	5.5	10	6	10	27	EFI-7086
4-6	6.4	3.5	5.5	12	6	12	28	EFI-7089
4-6	8.2	3.5	5.5	12	6	12	28	EFI-7090
4-6	6.4	3.5	5.5	12	6	13	30	EFI-7092

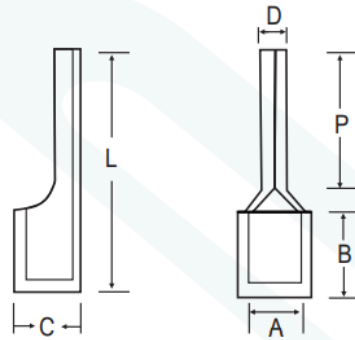
Technical Data:

- All dimensions in mm
- Material: Cable Lugs manufactured from Electrolytic Copper
- Range: Cable Range from 1.5 to 6 mm² with different stud hole
- Finish: Lead Free Electro Tin Plated to prevent atmospheric corrosion
- Application: Used for termination of copper conductors to equipment & circuits.

Pin Type Cable Lugs



Pin Type Cable Lugs

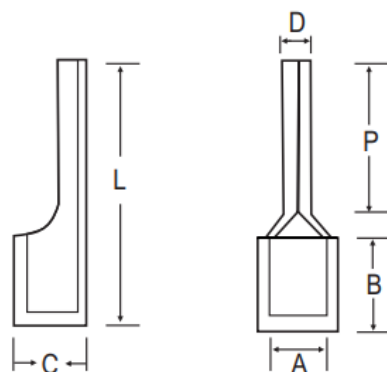


Cable Size	Cable Lug Dimensions						Part No
	A	C	D	B	P	L	
1.5	1.6	3.2	1.9	5	10	17	EP 9
1.5	1.6	3.2	3.1	5	10	17	EP 35
2.5	2.3	3.9	1.9	5	10	17	EP 1
2.5	2.3	3.9	3.1	5	10	17	EP 2
4	2.9	4.9	2.7	6	10	20	EP 3
6	3.6	5.6	2.7	6	10	20	EP 5
10	4.5	6.7	4.3	8	12	22	EP 7
16	5.8	8.2	5.5	10	13	26	EP 8
25	7.5	11.1	7.2	11	15	33	EP 86
35	9	12.6	8.2	12	15	33	EP 87
50	10.5	14.1	9	16	17	41	EP 88
70	12	16	10	16	18	46	EP 89

Pin Type Insulated Cable Lugs



Pin Type Insulated Cable Lugs

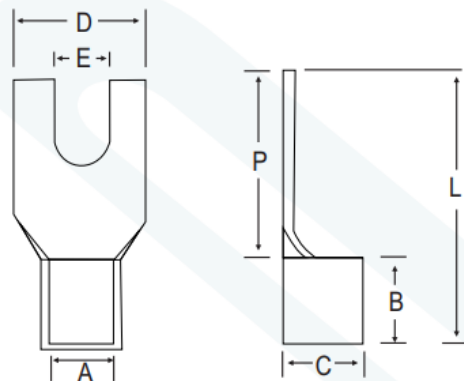


Cable Size	Cable Lug Dimensions						Part No
	A	C	D	B	P	L	
1.5	1.6	3.2	1.9	5	10	10	EPI-17
1.5	1.6	3.2	3.1	5	10	10	EPI-40
2.5	2.3	3.9	1.9	5	10	10	EPI-18
2.5	2.3	3.9	3.1	5	10	10	EPI-19
4	2.9	4.9	2.7	6	10	10	EPI-20
6	3.6	5.6	2.7	6	10	10	EPI-22
10	4.5	6.7	4.3	8	12	12	EPI-24
16	5.8	8.2	5.5	10	13	13	EPI-25

Fork Type Cable Lugs

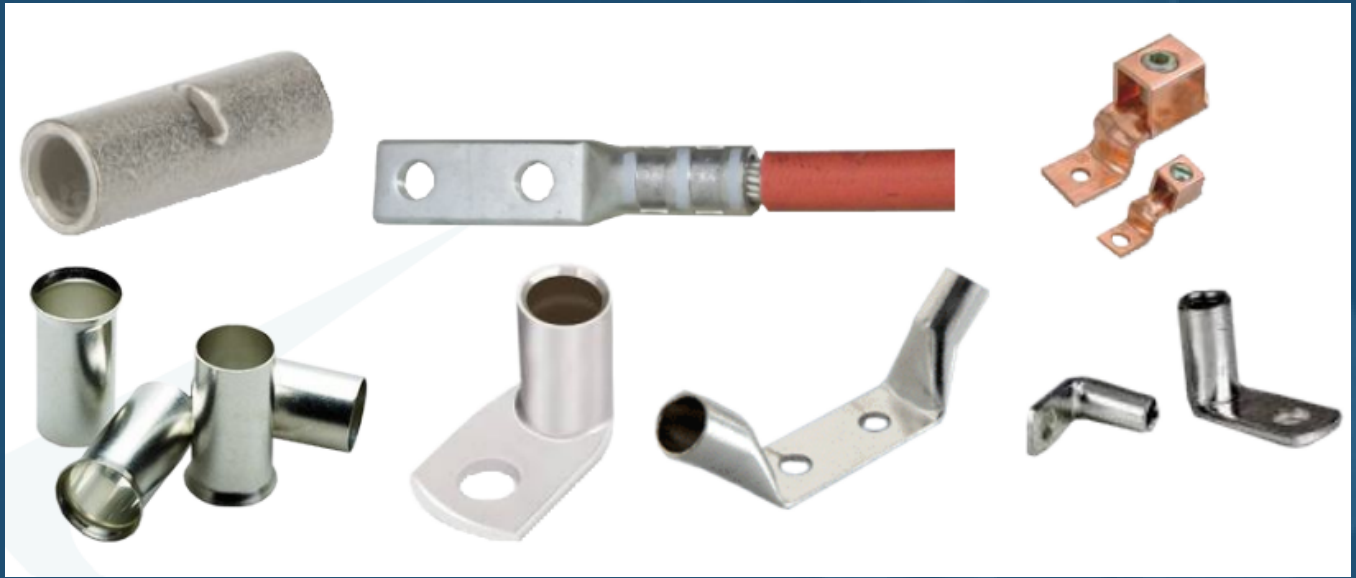


Fork Type Cable Lugs



Cable Size	Stud Hole Size	Cable Lug Dimensions						Part No
	E	A	C	D	B	P	L	
1.5	3	2	2.8	6.2	5	5.6	13	EF 8055
1.5	5.1	1.6	3.2	8	5	14	21	EF 7214
1.5	3.5	1.6	3.2	6.8	4	9	13	EF 7249
1.5	3	2	2.8	6.2	5	5.6	13	EF 7250
2.5	3.5	2.3	3.9	6.5	5	7.5	15	EF 7251
2.5	5	2.6	4.6	10.6	6.2	14.8	21	EF 7280
4	3.1	3.5	5.5	6	6	9	15	EF 7252
4	3.5	3.5	5.5	6	6	9	15	EF 7253
10	6.5	4.5	6.9	16	8	19	27	EF 7254
10	8.2	4.5	6.9	16	8	19	27	EF 7255
16	4.4	6.3	8.7	8.9	10	10	23	EF 0131

Other Cable Lugs & Connectors





PETROLIA GLOBAL

59 Raymond Road, Upton Park, E13 0SP

Contact No: +44 2084716942

Email: info@petrolia-global.co.uk, sales@petrolia-global.co.uk

Website: www.petrolia-global.co.uk